



**AC Hydraulic**<sup>A/S</sup>  
NO COMPROMISE



**TELESCOPIC PIT JACK**  
AIR HYDRAULIC



## FACTS

Telescopic air hydraulic pit jack

- Lowered design doubles usability compared to standard pit jacks
- Low construction height with a long stroke
- Rapid and precise air hydraulic unit with high speed ram travel
- Simple modern design with control panel at ergonomic working height
- Adjustable frame designed to fit all pits
- Transversal sliding ram – locking at 800 kg
- Dead man's release and safety overload valve for optimum safety

# TELESCOPIC AIR HYDRAULIC PIT JACK

Model GDT150-I

In line with the high quality of our standard pit jacks we now present a new telescopic air hydraulic pit jack ideal for lifting vehicles and offering a lowered design that facilitates swift, safe and precise gearbox handling thus doubling the usability of the jack

Being robust and versatile the jack is strong enough to securely lift vehicles during repair work and yet with the simple fitting of an AS3 gearbox saddle (not standard) the jack can tilt, turn and maneuver heavy gearboxes to pin-point accuracy

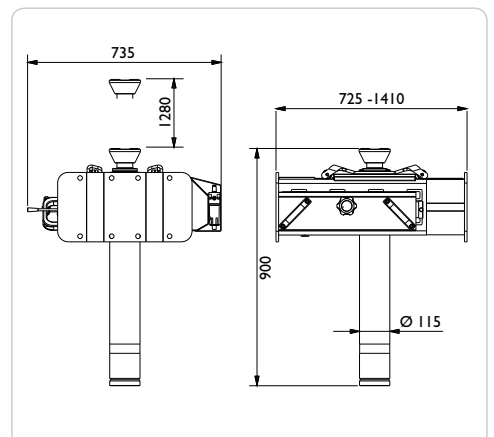
Support arms mounted with wheels with greasing nipples secure a smooth, virtually effortless running along the pit rails. Rapid and precise air hydraulic unit with high speed ram travel

A comprehensive range of accessories including cross beams, gearbox saddles and support bridges guarantees an all-purpose pit jack that will meet or exceed all needs



## GDT150-I

Capacity	15 t
Stroke	1280 mm
Min. height	900 mm
Max. height	2180 mm
Frame width	725-1410 mm
Depth	735 mm
Air supply	8-12 bar
Air consumption	350 l/min
Weight	250 kg



# PIT JACKS

for all purposes



GGD-S



GGD-F



GGD-U



GD-2



GD-I



GDT

# ACCESSORIES

for GDT150-I



AB



ABT



AS3



FW2



US



T4-I



T5-I



T6-I

## AC Hydraulic A/S

Fanøvej 6 • DK-8800 Viborg • Tel. +45 8662 2166 • Fax +45 8662 2988  
E-mail: [ac@ac-hydraulic.dk](mailto:ac@ac-hydraulic.dk) • [www.ac-hydraulic.com](http://www.ac-hydraulic.com)