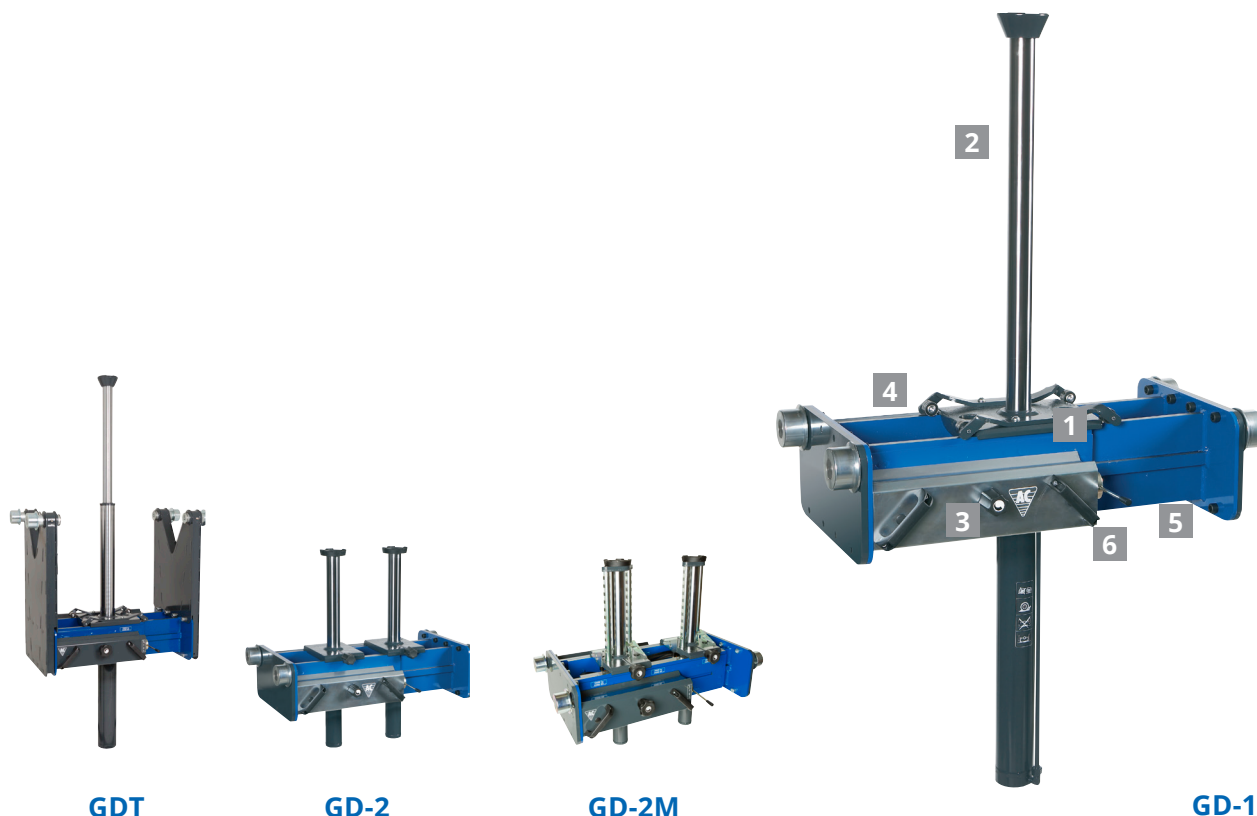




# RAPID AND PRECISE PIT JACKS

A rapid and precise air hydraulic unit with high speed ram travel that will save you time and boost your efficiency.



MODELS

**GDT**

**GD-2**

**GD-2M**

**GD-1**

## KEY FEATURES

- 1 TRANSVERSELY MOVABLE**  
The transversely movable cylinder offers optimum weight distribution for every lift
- 2 RAPID & PRECISE**  
The rapid and precise air hydraulic unit with high speed ram travel saves time and boosts efficiency
- 3 DEAD MAN'S RELEASE**  
Optimum safety and precise lowering with "hands-on" dead man's release and built-in safety overload valve
- 4 BUILT-IN FUNCTIONS**  
Low maintenance and longer product life due to built-in water separator and oil lubricator (GD-1 only)
- 5 A PERFECT FIT**  
The flexible frame construction guarantees a perfect match to your needs and individual specifications
- 6 SAVES TIME & REDUCES STRAIN**  
Control panel at ergonomical working height saves time and reduces the strain for the operator.
- MADE IN DENMARK**  
Built to the highest quality standards which guarantees you a safe and efficient operation and long lifecycle





# OPTIMIZE WITH ACCESSORIES



**T4 CROSS BEAM ADAPTOR** 20 t

Ideal for supporting axles, whilst working on the differential gear. Two adjustable lifting saddles



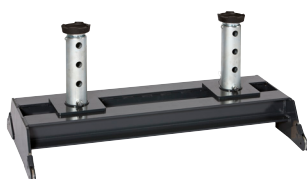
**T5 CROSS BEAM ADAPTOR** 15-11,5 t

Ideal for supporting axles, whilst working on the differential gear. Increases stability and offers adjustable width



**T6 CROSS BEAM ADAPTOR** 13 t

Ideal for inspection centres. Easy and precise adjustment of lifting saddles from the pit



**AB SUPPORT BRIDGE** 20 t

Perfect combination of safety and flexibility. The open frame gives you optimum traversing mobility



**ABT SUPPORT BRIDGE** 15 t

Perfect match with pit jacks. The frame design offers both optimum workspace and traversing mobility



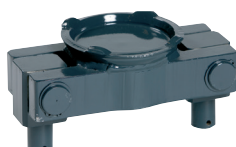
**S200 INTEGRATED SAFETY STAND** 20 t

Mechanical locking of the load prevents unintended lowering - can be used instead of safety jacks. Fits GD-1 only.



**AS3 GEARBOX SADDLE** 1 t

Perfect match for gearboxes. Tilts 10° in all directions for easy and accurate dismounting and remounting.



**LB DIFF BEAM** 20 t

Ideal for heavy duty lifting with one lifting point. Allows 2 rams to lift at one point with combined capacity. Fits GD-2 only.



**FLTR TROLLEY**

Helps swift mounting/dismounting of pit jacks and heavy duty jacking beams on lifts



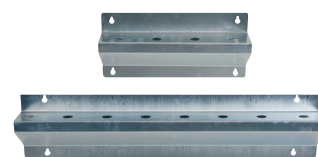
**FW2 / US SADDLE** 10 t

Essential for lifting under various axle profiles (V-saddle) and lifting various chassis profiles (U-saddle)



**FG100 / FG200 EXTENSION** 10 t

Essential for flexibility. Increases the lifting height by 100 mm or 200 mm



**VB1 / VB2 WALL BRACKET**

Increases efficiency by organizing your extensions and saddles on the wall



**GR HANDLE**

Extra handle aids ergonomic positioning of the pit jack in the pit

## VISIT OUR WEBSITE FOR DETAILS



For more details and an easy accessory guide please go to [www.ac-hydraulic.dk/en/products/pit-jacks/](http://www.ac-hydraulic.dk/en/products/pit-jacks/)